

# TONONE

technical specifications

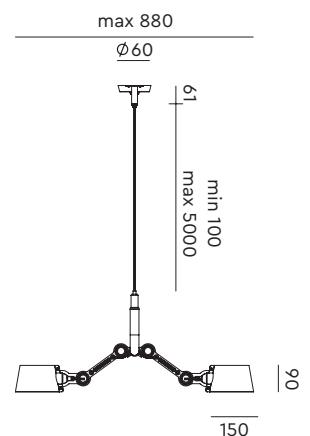
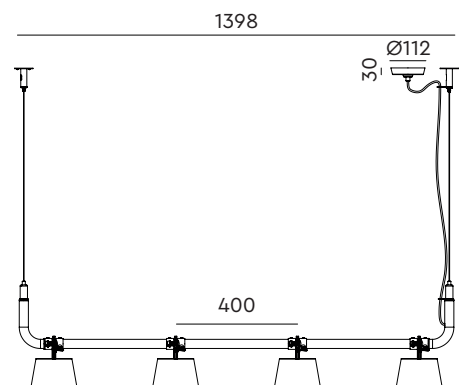
## BOLT 8-pack pendant

Design by Anton de Groof, 2013



Starting point for the products of Tonone is the passion for traditional mechanics. The first product line that resulted from this fascination is the lamp series 'Bolt'. Key element in this industrial series is the joint construction that can be adjusted with a wingnut-shaped tool. Besides being a functional tool, this wingnut is integrated in the design of the lamp itself as a distinctive visual element. The Bolt collection is available in 29 different models and in 11 colors.

Type	Pendant lamp
Environment	Indoor
Material	Steel & aluminum
Wingnut	Wingnut Solid Brass included
Cord length	Max 5000 mm
Weight	8,7 kg
Voltage	220-240 V
Max Watt	60 Watt
Socket	E27
IP	20
Lightsource	Lightsource not included
Packaging	
Weight	14 kg
Length	160 cm
Width	29 cm
Height	47 cm



# TONONE

technical specifications



Article number

	smokey black	1171
	flux green	1104
	pure white	1121
	midnight grey	1126
	ash grey	1125
	striking orange	1123
	lightning white	1122
	thunder blue	1124
	daybreak rose	1496
	sunny yellow	1454
	ice blue	1647