

# TONONE

technical specifications

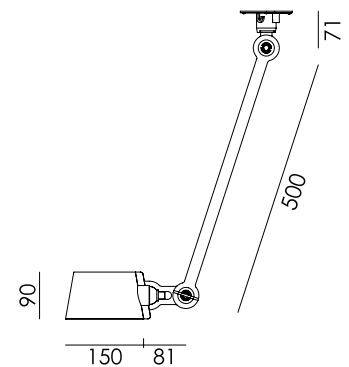
## BOLT ceiling 1 arm side fit

Design by Anton de Groof, 2016



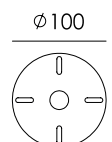
Starting point for the products of Tonone is the passion for traditional mechanics. The first product line that resulted from this fascination is the lamp series 'Bolt'. Key element in this industrial series is the joint construction that can be adjusted with a wingnut-shaped tool. Besides being a functional tool, this wingnut is integrated in the design of the lamp itself as a distinctive visual element. The Bolt collection is available in 29 different models and in 10 colors.

Type	Ceiling lamp
Environment	Indoor
Material	Steel & aluminum
Wingnut	Wingnut Solid Brass included
Cord length	Bolt with cord   2350 mm Bolt install   10 mm
Weight	1,5 kg
Voltage	220-240 V
Max Watt	60 Watt
Socket	E27
IP	20
Lightsource	Lightsource not included



### Packaging

Weight	3,5 kg
Length	75 cm
Width	47 cm
Height	18 cm



# TONONE

technical specifications



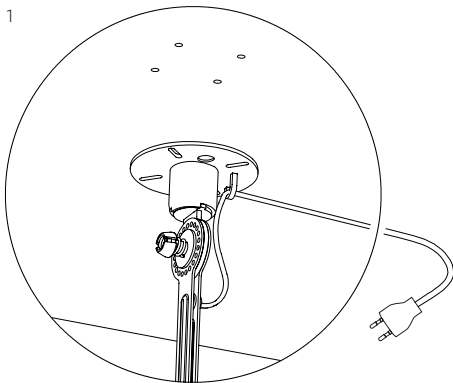
		<i>with cord</i>	<i>install</i>
	smokey black	1201	1304
	flux green	1203	1305
	pure white	1205	1307
	midnight grey	1274	1311
	ash grey	1207	1310
	striking orange	1202	1308
	lightning white	1204	1306
	thunder blue	1206	1309
	daybreak rose	1484	1486
	sunny yellow	1442	1444

# TONONE

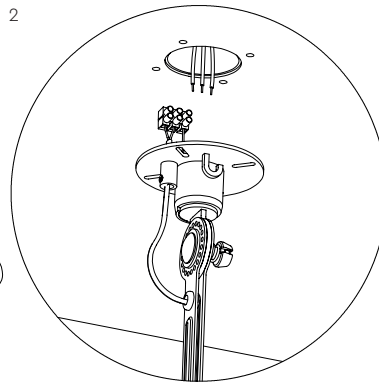
technical specifications



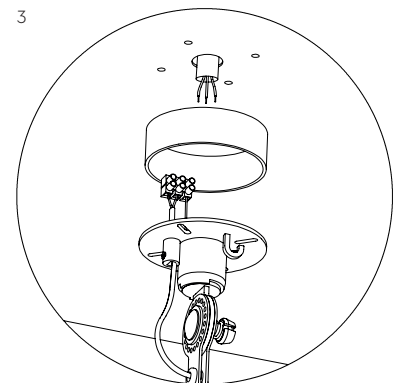
## Installation



With cord  
1. Powercord with plug.



Install  
2. Terminal block to install directly on a junction box.



Install  
3. Terminal block to install directly on a junction box with optional ceiling.