

TONONE

technical specifications

BOLT desk small 2 arm

Design by Anton de Groof, 2013 / 2018

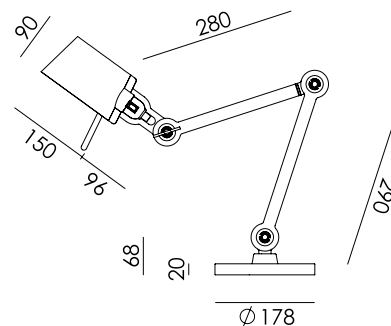


Starting point for the products of Tonone is the passion for traditional mechanics. The first product line that resulted from this fascination is the lamp series 'Bolt'. Key element in this industrial series is the joint construction that can be adjusted with a wingnut-shaped tool. Besides being a functional tool, this wingnut is integrated in the design of the lamp itself as a distinctive visual element. The Bolt collection is available in 29 different models and in 10 colors.

Type	Desk lamp
Environment	Indoor
Material	Steel & aluminum
Wingnut	Wingnut Solid Brass included
Cord length	2300 mm
Weight	5,3 kg

Voltage	220-240 V
Max Watt	60 Watt
Socket	E27
IP	20
Lightsource	Lightsource not included

Packaging	
Weight	7,3 kg
Length	75 cm
Width	47 cm
Height	18 cm



TONONE

technical specifications



Article number

	smokey black	1352
	flux green	1353
	pure white	1355
	midnight grey	1359
	ash grey	1358
	striking orange	1356
	lightning white	1354
	thunder blue	1357
	daybreak rose	1459
	sunny yellow	1417