

TONONE

technical specifications

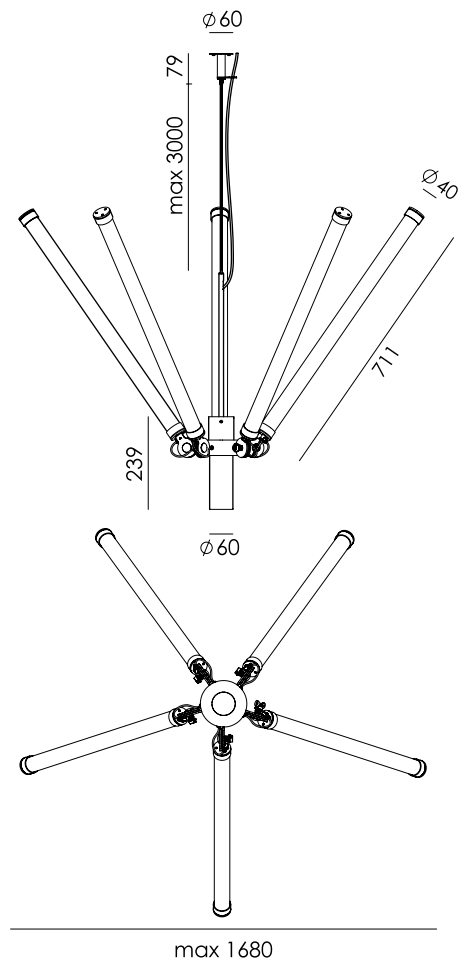
MR. TUBES LED chandelier

Design by Anton de Groof, 2019



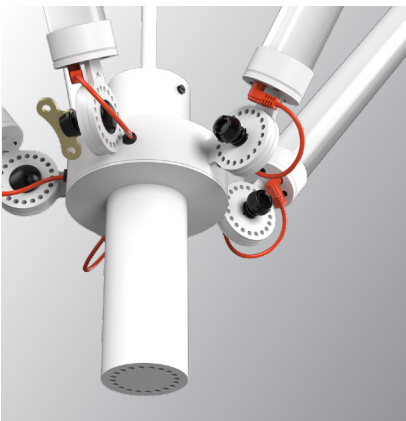
Mr. Tubes is a sturdy lamp design that combines pure functionality with graphical aesthetics. The black- or white coated steel construction holds the led tubes and gives the lamp an industrial look; a straightforward design suitable for various locations. The lamp is dimmable and the adjustable steel cables make it possible to hang the lamp at any height. Mr. Tubes is available as a pendant single, double, floor, wall and chandelier. Or build your own with the Mr. Tubes Led Connect.



Type	Chandelier lamp
Environment	Indoor
Material	Aluminum & steel
Wingnut	Wingnut Solid Brass included
Cord length	Max. 3000 mm
Weight	7,1 kg
Voltage	230-240 V
Watt	7,8 Watt
IP	20
Lightsource	Integrated LED source
Kelvin / Lumen	2700 K 5 × 890 lumen
Kelvin	4000 K 5 × 980 lumen
CRI	80
Dimmable	Phase cut dimmable



TONONE

technical specifications



	2700 K	4000 K
 smokey black with black cords	4045	4046
 pure white with orange cords	4050	4051

TONONE

