

TONONE

technical specifications

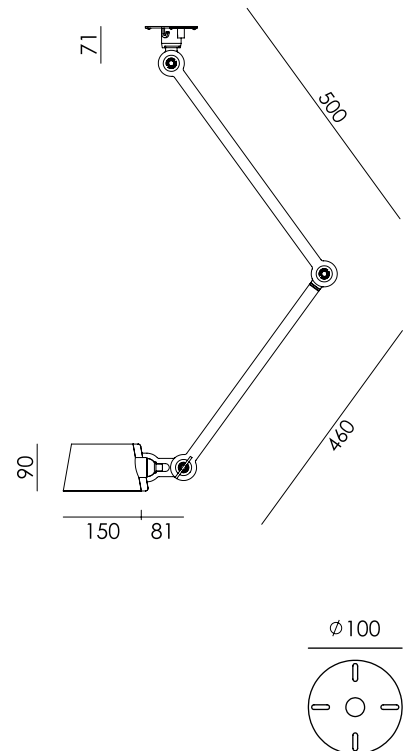
BOLT ceiling 2 arm side fit

Design by Anton de Groof, 2016



Starting point for the products of Tonone is the passion for traditional mechanics. The first product line that resulted from this fascination is the lamp series 'Bolt'. Key element in this industrial series is the joint construction that can be adjusted with a wingnut-shaped tool. Besides being a functional tool, this wingnut is integrated in the design of the lamp itself as a distinctive visual element. The Bolt collection is available in 29 different models and in 11 colors.

Type	Ceiling lamp
Environment	Indoor
Material	Steel & aluminum
Wingnut	Wingnut Solid Brass included
Cord length	10 mm
Weight	1,9 kg
Voltage	220-240 V
Max Watt	60 Watt
Socket	E27
IP	20
Lightsource	Lightsource not included
Packaging	
Weight	3,9 kg
Length	75 cm
Width	47 cm
Height	18 cm



TONONE

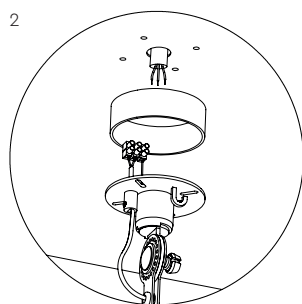
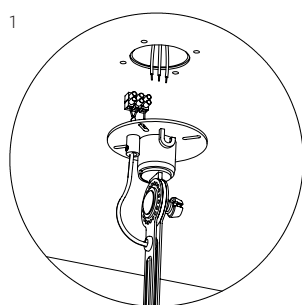
technical specifications



	Article number
	smokey black 1320
	flux green 1321
	pure white 1323
	midnight grey 1327
	ash grey 1326
	striking orange 1324
	lightning white 1322
	thunder blue 1325
	daybreak rose 1487
	sunny yellow 1445
	ice blue 1638


TONONE

technical specifications



1. With terminal block to install directly on a junction box.
2. With optional ceiling ring.

Optional ceiling ring
Article number

	smokey black	1509
	flux green	1510
	pure white	1511
	midnight grey	1512
	ash grey	1513
	striking orange	1514
	lightning white	1515
	thunder blue	1516
	daybreak rose	1517
	sunny yellow	1518
	ice blue	1651