

TONONE

technical specifications

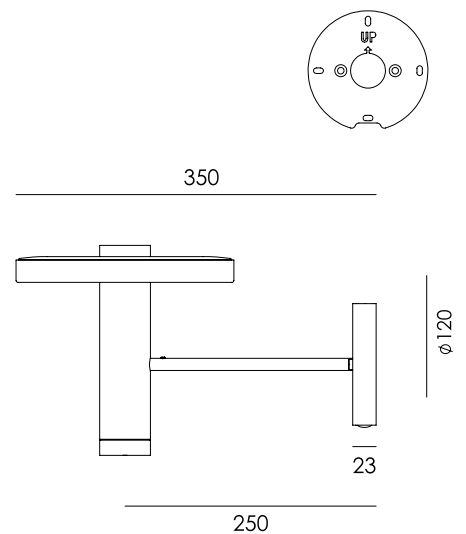
BEADS wall 35 uplight

Design by Anton de Groof, 2018



The Tonone Beads collection is designed to fit in every environment. The modest look of the armature, shines when it comes to functionality. With its 360-degree dimmable and pivotable LED ring, the Beads is a solution for any situation. The lightweight Beads lamp is made of black powder-coated aluminium and the fixture is made of black powder-coated steel. Beads is equipped with a high-quality integrated LED light source. The Beads Wall 35 is dimmable on the fixture.

Type	Wall lamp
Environment	Indoor
Material	Aluminum & steel
Cord length	Beads with cord 2600 mm Beads install 100 mm
Weight	1,3 kg
Voltage	220-240 V
Watt	16 Watt
IP	20
Lightsource	Integrated LED source
Lumen	900
Kelvin	Dim to warm (2100K to 2800K)
CRI	90
Dimmable	Beads with cord secundair dimmable on fixture Beads install phase cut dimmable
Packaging	
Weight	2,3 kg
Length	43 cm
Width	27 cm
Height	34 cm



TONONE

technical specifications



smokey black

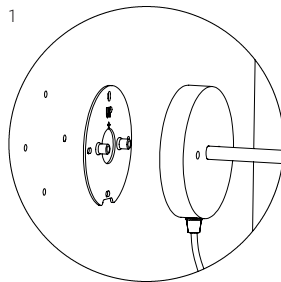
with cord

2080

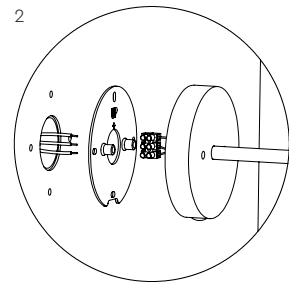
install

2090

1



2



Installation

1. With cord: including switch and a plug.

2. Install: With terminal block to install directly on a junction box.