

TONONE

technical specifications

BOLT desk 1 arm

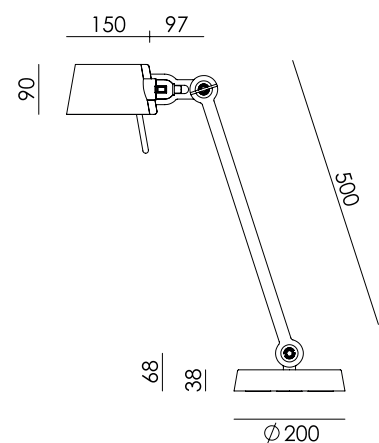
Design by Anton de Groof, 2013



Starting point for the products of Tonone is the passion for traditional mechanics. The first product line that resulted from this fascination is the lamp series 'Bolt'. Key element in this industrial series is the joint construction that can be adjusted with a wingnut-shaped tool. Besides being a functional tool, this wingnut is integrated in the design of the lamp itself as a distinctive visual element. The Bolt collection is available in 29 different models and in 10 colors.

| | |
|-------------|------------------------------|
| Type | Desk lamp |
| Environment | Indoor |
| Material | Steel & aluminum |
| Wingnut | Wingnut Solid Brass included |
| Cord length | 2400 mm |
| Weight | 7,2 kg |
| Voltage | 220-240 V |
| Max Watt | 60 Watt |
| Socket | E27 |
| IP | 20 |
| Lightsource | Lightsource not included |

| | |
|-----------|--------|
| Packaging | |
| Weight | 9,2 kg |
| Length | 75 cm |
| Width | 47 cm |
| Height | 18 cm |



TONONE

technical specifications



| | Article number |
|---|----------------------|
|  | smokey black 1017 |
|  | flux green 1019 |
|  | pure white 1021 |
|  | midnight grey 1254 |
|  | ash grey 1024 |
|  | striking orange 1022 |
|  | lightning white 1020 |
|  | thunder blue 1023 |
|  | daybreak rose 1460 |
|  | sunny yellow 1418 |