

# TONONE

technical specifications

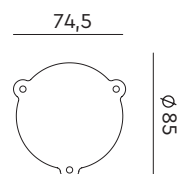
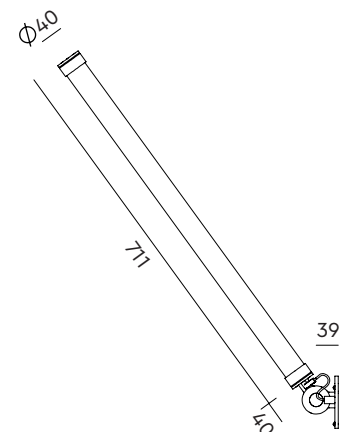
## MR. TUBES LED wall driver separate

Design by Anton de Groof, 2019



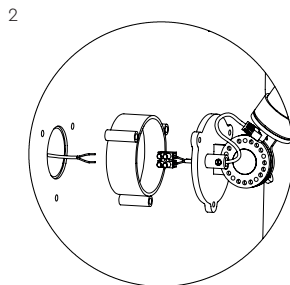
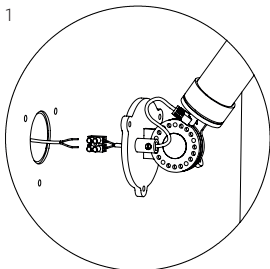
Mr. Tubes is a sturdy lamp design that combines pure functionality with graphical aesthetics. The black- or white coated steel construction holds the led tubes and gives the lamp an industrial look; a straightforward design suitable for various locations. The lamp is dimmable and the adjustable steel cables make it possible to hang the lamp at any height. Mr. Tubes is available as a pendant single, double, floor, wall and chandelier. Or build your own with the Mr. Tubes Led Connect.

Type	Wall lamp
Environment	Indoor
Material	Aluminum & steel
Cord length	x
Weight	1,1 kg
Voltage	220-240 V
Watt	8 Watt
IP	20
Lightsource	Integrated LED source
Kelvin / Lumen	2700 K   865 lumen 4000 K   865 lumen
CRI	>90
Dimmable	Phase cut dimmable
Optional	Optional wall ring for installation available, not included
Packaging	
Length	80 cm
Width	33 cm
Height	13 cm



# TONONE

technical specifications



## Installation

1. With terminal block to install directly on a junction box.
2. With optional wall ring.



smokey black  
with black cords

2700 K

4035

4000 K

4036



pure white  
with orange cords

4037

4038